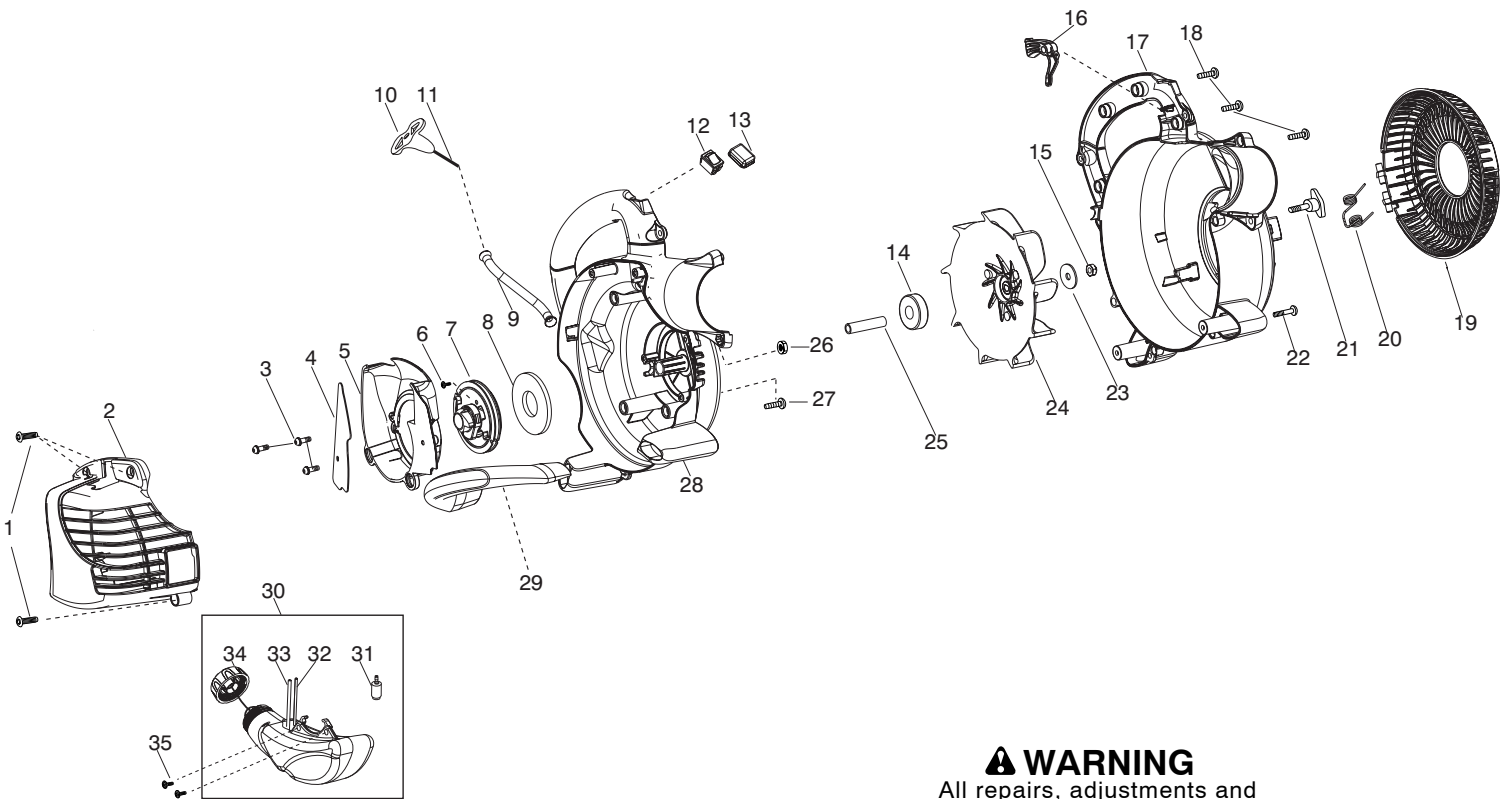


Parts List No. 545164343		 McGULLOGH PARTS LIST	MODEL M320
Date 12/19/07	NEW		NOTE : Illustration may differ from actual model due to design changes.



⚠ WARNING

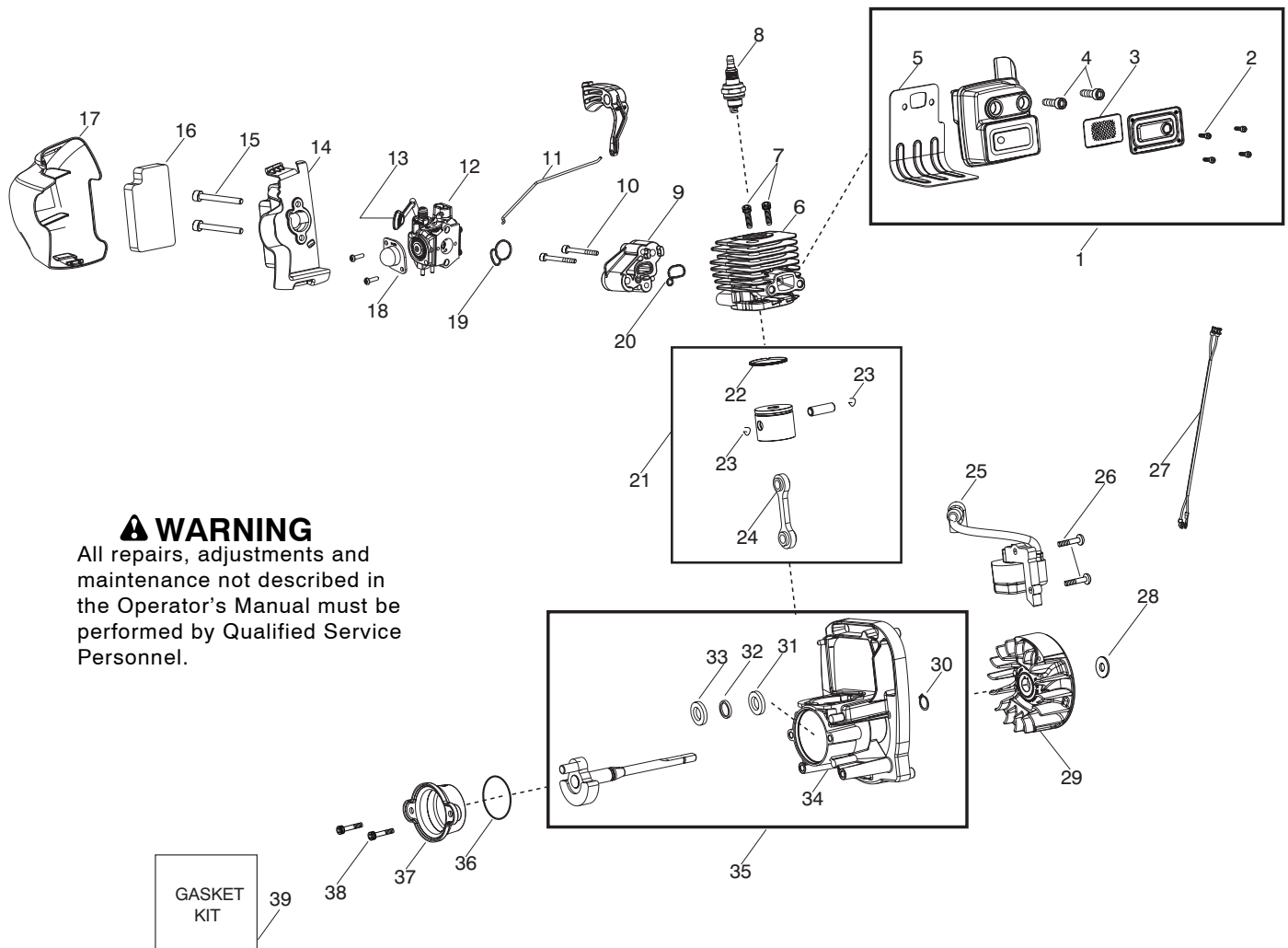
All repairs, adjustments and maintenance not described in the Operator's Manual must be performed by Qualified Service Personnel.

Ref.	Part No.	Description	Ref.	Part No.	Description
1.	530015814	Screw	24.	545113601	Assy-Impeller
2.	545135806	Assy - Engine Cover	25.	545113701	Spacer - Flywheel
3.	530015880	Screw	26.	530015197	Nut
4.	545134001	Shield - Baffle	27.	530016386	Screw
5.	545099101	Baffle	28.	545100903	Assy-Scroll Assy. RH (Incl. 14)
6.	530016391	Screw	29.	545101201	Handle - Vac
7.	545081852	Kit - Starter Pulley	30.	545100401	Assy - Fuel Tank (Incl. 31,32,33,34)
8.	530042086	Spring - Starter	31.	530095646	Assy - Fuel Pickup
9.	545107101	Tube - Starter Rope	32.	530069247	Kit - Fuel Line (carb/purge)
10.	530054834	Handle - starter	33.	530069216	Kit - Fuel Line (tank/purge)
11.	545081833	Kit - Rope	34.	530057973	Assy - Fuel Cap w/retainer
12.	545081830	Kit - Switch (momentary) (Incl. 13)	35.	530016445	Screw - Fuel Tank Retainer
13.	545128201	Protector - Switch	Not Shown		
14.	545099001	Bearing	-----	Manual	
15.	545116201	Nut - Lock	545154798	Eng/Sp/Fr	
16.	545113803	Trigger - Throttle	545154799	Russian	
17.	545134103	Assy - Scroll LH (Incl. 19,20)	545167702	Decal - Warning CE	
18.	530015814	Screw	530057414	Decal - Warning	
19.	545100801	Door- Vac			
20.	545115601	Spring - Vac Door			
21.	545003502	Screw			
22.	530016406	Screw - Handle Vac			
23.	545109901	Washer - Impeller			

✓ = New Part Number For This IPL

★ = Refer to the Service Reference Indicated for more information.(Located at the END of the IPL)

Parts List No. 545164343		 McGULLOCH PARTS LIST	MODEL M320
Date 12/19/07	NEW		Page: 2
NOTE : Illustration may differ from actual model due to design changes.			



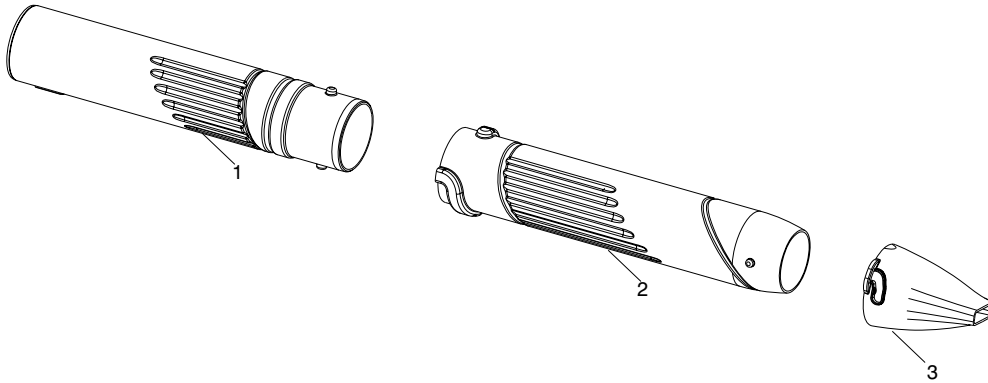
⚠ WARNING
All repairs, adjustments and maintenance not described in the Operator's Manual must be performed by Qualified Service Personnel.

Ref.	Part No.	Description	Ref.	Part No.	Description
1.	545090002	Assy - Muffler (Incl. 2,3,4,5)	21.	545081864	Kit - Piston / Connecting Rod (Incl. 22,23,24)
2.	530015241	Screw	22.	530012472	Ring - Piston
3.	545081845	Kit - Spark Screen	23.	530015162	Retainer - Wrist Pin
4.	530058982	Bolt	24.	545081865	Kit - Assy. Connecting Rod
5.	545081832	Gasket-Muffler (gasket kit)	25.	545158001	Module - Ignition
6.	545115301	Cylinder	26.	530016357	Screw
7.	530015953	Bolt	27.	545127601	Assy - Wire Harness
8.	952030249	Spark Plug (RCJ-6Y)	28.	530015828	Washer
9.	545084901	Adapter - Carb.	29.	530054115	Assy - Flywheel
10.	530016441	Screw	30.	530015941	Retainer - Crankshaft
11.	545115501	Linkage - Throttle	31.	530055728	Bearing - Outer
12.	545081831	Kit - Carb. Assy (WT847) (Incl. 13,18)	32.	530019264	Seal
13.	545157102	Lever- Choke (Gold)	33.	530032125	Bearing - Inner
14.	545112603	Base - Airbox	34.	530012582	Assy - Crankcase (Incl. 31,32,33)
15.	530016429	Screw	35.	545102102	Assy - Crankcase & Crankshaft (Incl. 30,34)
16.	545116801	Filter	36.	545081832	O-Ring (Rear Plug) (gasket kit)
17.	545112702	Cover - Air Box Filter	37.	530057954	Assy - Rear Plug (Incl. 36)
18.	530035497	Bulb - Purge (walbro 188-16)	38.	530016386	Screw
19.	545081832	O-Ring (Carb / Adapter) (gasket kit)	39.	545081832	Kit - Gasket (Incl. 5,19,20,36)
20.	545081832	O-Ring (Adapter / Cylinder) (gasket kit)			

✓ = New Part Number For This IPL

★ = Refer to the Service Reference Indicated for more information. (Located at the END of the IPL)

Parts List No. 545164343		 McGULLOGH PARTS LIST	MODEL M320
Date 12/19/07	NEW		NOTE : Illustration may differ from actual model due to design changes.



⚠ WARNING

All repairs, adjustments and maintenance not described in the Operator's Manual must be performed by Qualified Service Personnel.

Ref.	Part No.	Description
1.	545167801	Tube - Upper Blower w/barrier
2.	545100601	Tube - Lower Blower
3.	545151201	Nozzle - High Speed

✓ = New Part Number For This IPL

★ = Refer to the Service Reference Indicated for more information.(Located at the END of the IPL)